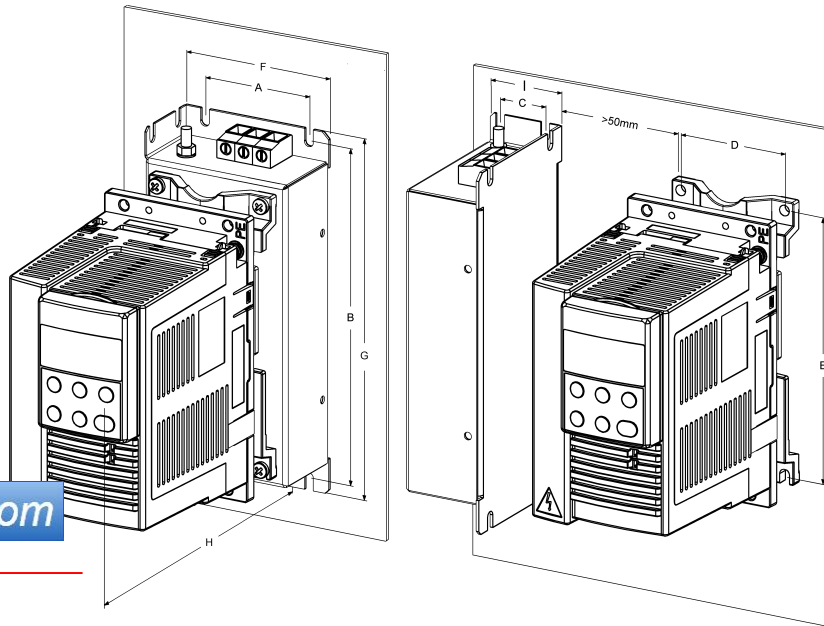


## Installation Guide/Montageanleitung

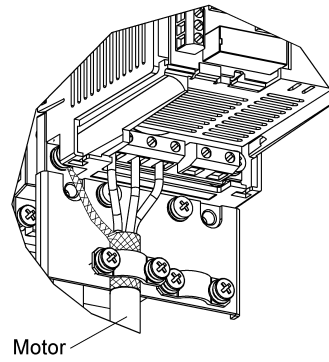
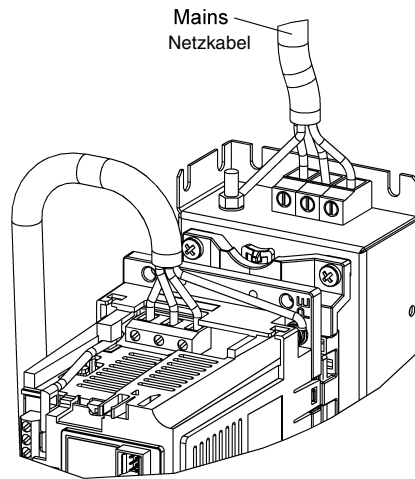
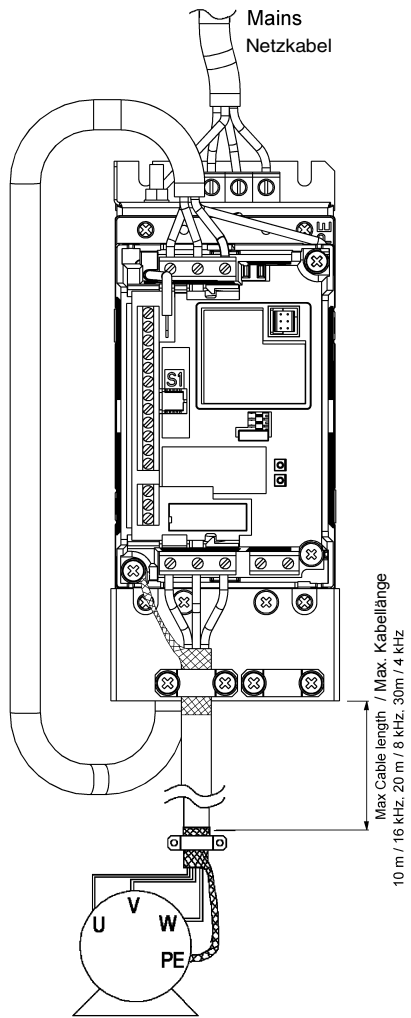
for filters/für Filter ACS100/140-IFAB-1, -IFCD-1,  
ACS140-IFAB-3, -IFCD-3



A. Footprint / Fußzeile

B. Metal wall mounting / Montage an Metallwand

Converter Type Umrichtertyp	Filter	A (mm)	B (mm)	C (mm)	D (mm)	E (mm)	F (mm)	G (mm)	H (mm)	I (mm)
ACS101/141-		1-phase/phasig 200 - 240 V, 0.12 - 2.2 kW								
K18-1, H18-1	IFAB-1	58	172	25	58	136	81	186	180	42
K25-1, H25-1	IFAB-1	58	172	25	58	136	81	186	180	42
K37-1, H37-1	IFAB-1	58	172	25	58	136	81	186	180	42
K75-1, H75-1	IFAB-1	58	172	25	58	136	81	186	180	42
1K1-1, 1H1-1	IFAB-1	58	172	25	58	136	81	186	180	42
1K6-1, 1H6-1	IFAB-1	58	172	25	58	136	81	186	217	42
2K1-1	IFCD-1	58	272	25	58	208	81	286	200	42
2K7-1	IFCD-1	58	272	25	58	208	81	286	200	42
4K1-1	IFCD-1	58	272	25	58	235	81	286	207	42
ACS143-		3-phase/phasig 380 - 480 V, 0.37 - 2.2 kW								
K75-3, H75-3	IFAB-3	58	172	25	58	136	81	186	180	42
1K1-3, 1H1-3	IFAB-3	58	172	25	58	136	81	186	180	42
1K6-3, 1H6-3	IFAB-3	58	172	25	58	136	81	186	217	42
2K1-3, 2H1-3	IFAB-3	58	172	25	58	136	81	186	217	42
2K7-3	IFCD-3	58	272	25	58	208	81	286	200	42
4K1-3	IFCD-3	58	272	25	58	235	81	286	207	42



Code: 3BFE 64332074 R0225  
Effective: 20.10.2000 / EN